

Talos

Design:
KEIJI TAKEUCHI
2024



+ info: <https://www.depadova.com/materials.pdf>
De Padova srl - info@depadova.it

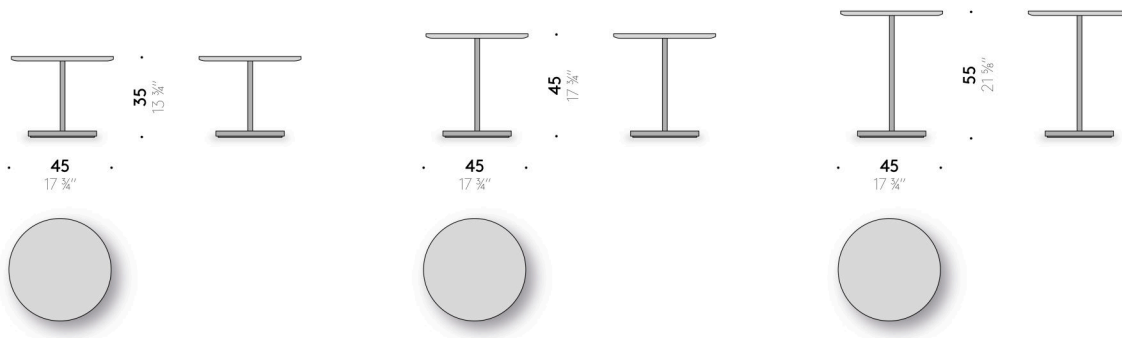
LOW TABLE

Materials

Base and top
white Carrara marble, Valentine Grey, Grey Stone, Emperador Dark, grey Carnico marble, Calacatta Oro, Rosso Lepanto, Verde Alpi - treated with water repellent products or finished with matt polyester.

Leg

Liquid painted steel in Anodic Brown colour.



Talos

Design:
KEIJI TAKEUCHI
2024



+ info: <https://www.depadova.com/materials.pdf>
De Padova srl - info@depadova.it

TAVOLINO

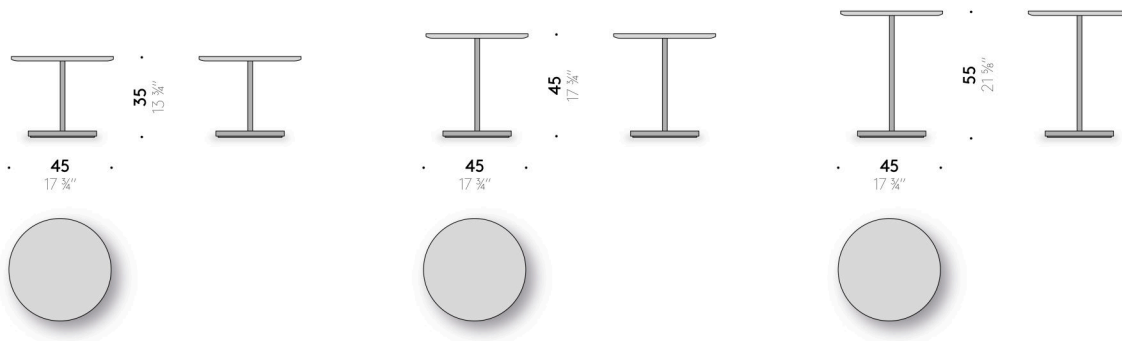
Materiali

Base e piano

marmo bianco Carrara, Valentine Grey, Grey Stone, Emperador Dark, Grigio Carnico, Calacatta Oro, Rosso Lepanto, Verde Alpi trattato con prodotti idrorepellenti oppure finito con poliestere opaco.

Gamba

acciaio verniciato a liquido color Anodic Brown.



Talos

Design:
KEIJI TAKEUCHI
2024



+ info: <https://www.depadova.com/materials.pdf>
De Padova srl - info@depadova.it

PETITE TABLE

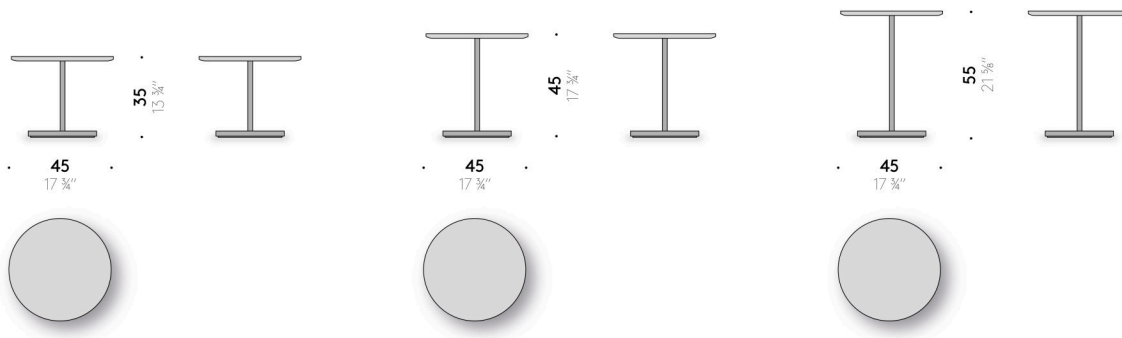
Matériaux

Base et dessus

marbre blanc Carrara, Valentine Grey, Grey Stone, Emperador Dark, Gris Carnique, Calacatta Oro, Rosso Lepanto, Verde Alpi traité avec des produits hydrofuges ou fini avec du polyester mat.

Pied

acier laqué liquide couleur Anodic Brown.



Talos

Design:
KEIJI TAKEUCHI
2024



+ info: <https://www.depadova.com/materials.pdf>
De Padova srl - info@depadova.it

BEISTELLTISCH

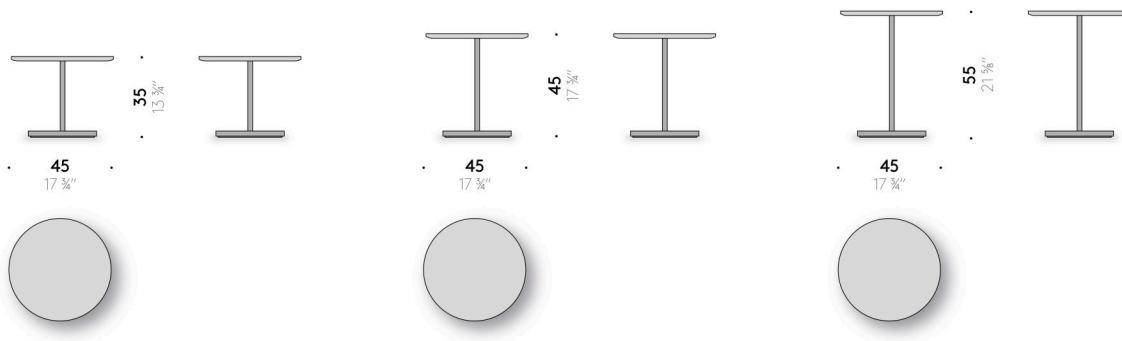
Materialien

Gestell und Tischplatte

Marmor Carrara weiß, Valentine Grey, Grey Stone, Emperador Dark, Grau Carnico, Calacatta Oro, Rosso Lepanto, Verde Alpi, mit wasserabweisenden Produkten behandelt oder mit mattem Polyester beschichtet.

Bein

Nasslackierter Stahl in Anodic Brown.



Talos

Design:
KEIJI TAKEUCHI
2024



+ info: <https://www.depadova.com/materials.pdf>
De Padova srl - info@depadova.it

MESITA

Materiales

Base y tablero

mármol blanco Carrara, Valentine Grey, Grey Stone, Emperador Dark, Gris de Carnia, Calacatta Oro, Rosso Lepanto, Verde Alpi tratado con productos repelentes al agua o acabado con poliéster mate.

Pata

acero pintado con líquido color Anodic Brown.

