

# Branch Of The Maple

## Design:

TIME & STYLE ědition  
MADE IN JAPAN  
2023

TIME & STYLE ědition

+ info: <https://www.depadova.com/materials.pdf>  
De Padova srl - info@depadova.it



## CLOTHES VALET STAND AND COAT STAND

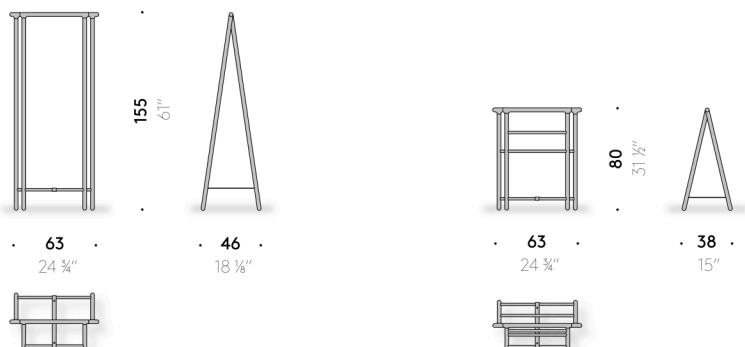
### Materials

#### Frame

snow white or grey charcoal-stained solid maple wood, finished with transparent water-based or solvent-based coating.

#### Strap

vegetable-tanned semi-aniline-dyed cowhide, natural colour.



# Branch Of The Maple

## Design:

TIME & STYLE ědition  
MADE IN JAPAN  
2023

TIME & STYLE ědition

+ info: <https://www.depadova.com/materials.pdf>  
De Padova srl - info@depadova.it



## SERVOMUTO E APPENDIABITI

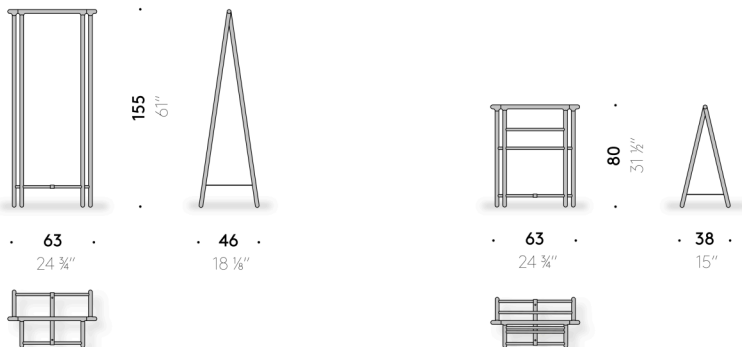
### Materiali

#### Struttura

massello di acero tinto bianco neve o grigio carbone, finito con vernice trasparente a base acqua o a solvente.

#### Cinghia

cuoio conciato al vegetale e tinto alla semianilina color naturale.



# Branch Of The Maple

## Design:

TIME & STYLE édition  
MADE IN JAPAN  
2023

TIME & STYLE édition

+ info: <https://www.depadova.com/materials.pdf>  
De Padova srl - info@depadova.it



## VALET DE NUIT ET PORTE-MANTEAU

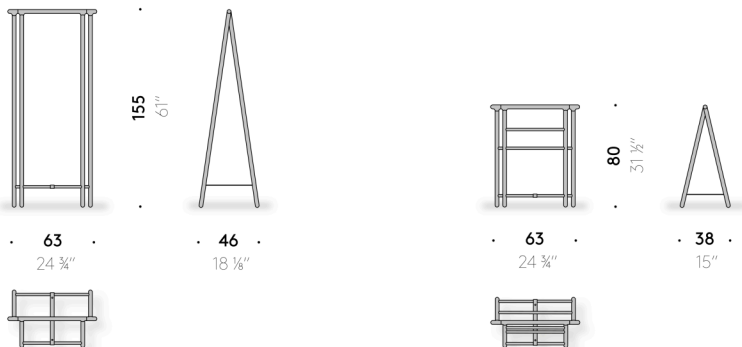
### Matériaux

#### Structure

massif d'érable teinté blanc neige ou gris charbon, fini avec peinture transparent à l'eau ou à base de solvant.

#### Sangle

cuir tanné végétal et teint semi-aniline couleur naturel.



# Branch Of The Maple

## Design:

TIME & STYLE édition  
MADE IN JAPAN  
2023

TIME & STYLE édition

+ info: <https://www.depadova.com/materials.pdf>  
De Padova srl - info@depadova.it



## STILLER DIENER UND GARDEROBENSTÄNDER

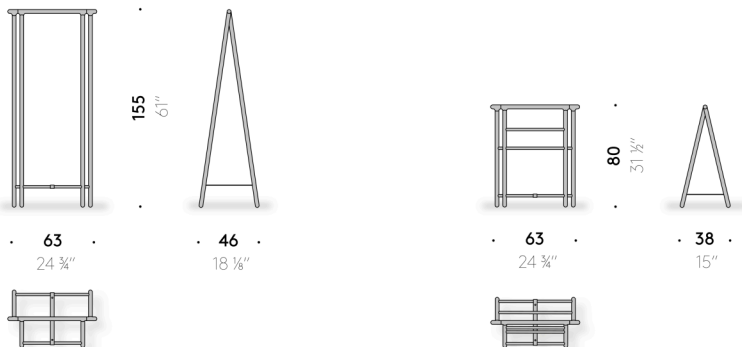
### Materialien

#### Gestell

Massives Ahornholz, Schneeweiß oder kohlengrau gefärbt, endbehandelt mit transparentem Lack auf Wasser- oder Lösemittelbasis.

#### Gurt

aus pflanzlich gegerbtem und semi-anilingefärbtem Kernleder, naturfarben.



# Branch Of The Maple

## Design:

TIME & STYLE édition  
MADE IN JAPAN  
2023

TIME & STYLE édition

+ info: <https://www.depadova.com/materials.pdf>  
De Padova srl - info@depadova.it



## PERCHERO VALET Y PERCHERO

### Materiales

#### Estructura

madera maciza de acero teñida blanco nieve o gris carbón, acabada con barniz transparente al agua o al disolvente.

#### Cincha

cuero con curtido vegetal y teñido a la semianilina color natural.

